

# 7800 Series Heavy Duty 2000 lbs



## Excellent for:

- Abusive Conditions
- Tow Lines
- Industrial Platform Trucks
- Heavy Waste Bin Applications
- Most Hardworking Industrial Functions
- Economic Choice for heavy loads

## Options:

(Swivel only)

- "PCB" - Positive Cam Brake



## Finish:

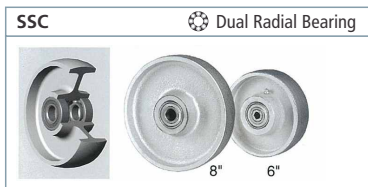
- Bright Zinc



**"HD Euro-Lite Nylon"**  
ELNX  
-30° to 248°F  
75D +/-3  
Nylon



**"Moldon Urethane"**  
UR  
-40° to 194°F  
95A +/-3  
Urethane on Iron



**Solid Crowned Iron**  
SSC  
-45° to 180°F (Standard)  
Consult CWBC for  
temperatures to 800F  
95-98 Shore D  
Crowned Cast Iron



**"Crowned TPU"**  
TPUC  
-40° to 194°F  
95A +/-3  
TPU on Nylon Core

## Fitting Dimensions:

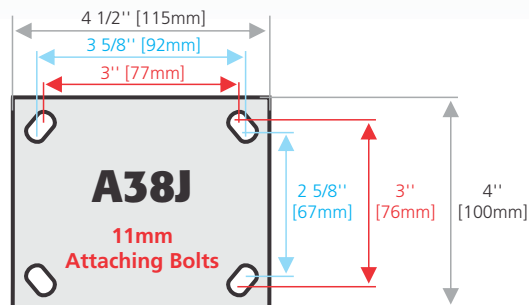


Plate thickness: 3/8" [9.5mm]

# 7800 Series Heavy Duty 2000 lbs

Size	Swivel	Rigid	Wheel Material	Wheel Colour	Wheel Diameter	Tread Width	Capacity	Overall Height	Sw Lead
6"	S7806-A38J-ELNX-BB	R7806-A38J-ELNX-BB	ELNX	White	150mm	2" [50mm]	1700 lbs	7 5/8" [193mm]	49mm
6"	S7806-A38J-UR-BB	R7806-A38J-UR-BB	Moldon Urethane	Red on Black	150mm	2" [50mm]	1500 lbs	7 5/8" [193mm]	49mm
6"	S7806-A38J-SSC-BB	R7806-A38J-SSC-BB	Cast Iron	Grey	150mm	1 7/8" [45mm]	1900 lbs	7 5/8" [193mm]	49mm
6"	S7806-A38J-TPUC-BB	R7806-A38J-TPUC-BB	Crowned TPU	Blue on Grey	150mm	2" [50mm]	900 lbs	7 5/8" [193mm]	49mm
8"	S7808-A38J-ELNX-BB	R7808-A38J-ELNX-BB	ELNX	White	200mm	2" [50mm]	1800 lbs	9 5/8" [244mm]	47mm
8"	S7808-A38J-UR-BB	R7808-A38J-UR-BB	Moldon Urethane	Red on Black	200mm	2" [50mm]	1600 lbs	9 5/8" [244mm]	47mm
8"	S7808-A38J-SSC-BB	R7808-A38J-SSC-BB	Cast Iron	Grey	200mm	1 7/8" [45mm]	2000 lbs	9 5/8" [244mm]	47mm
8"	S7808-A38J-TPUC-BB	R7808-A38J-TPUC-BB	Crowned TPU	Blue on Grey	200mm	2" [50mm]	950 lbs	9 5/8" [244mm]	47mm