

FEATURES

ALGOOD

BEARINGS: Plain, Ball, Delrin, Nylon, Roller, Caged Roller, Tapered
TEMPERATURE: -45°F to 180°F (standard),
 -45°F to 800°F (w/Roller bearing & Steel side washers)
COLOURS: Silver
DESCRIPTION: V Groove wheels, made of cast iron, are designed to operate on inverted angle iron tracks. This enables heavy loads to be guided along the tracks with complete control instead of possibly doing damage to industrial floors and equipment. Because the tread is flat on the bottom, the V Groove wheel can be used on normal floor surfaces. Available in Stainless Steel upon request.
DUROMETER: 95 - 98 Shore D



EXCELLENT FOR

- Guided industrial
- Material handling
- Waste bins
- Assembly lines
- Paint lines



V Groove



V Groove

OPTIONS

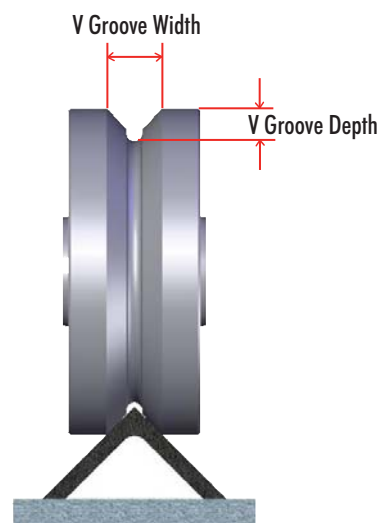
- BB Ball Bearing
- BR Bronze Bushing
- DB Delrin Bearing
- NB Nylon Roller Bearing
- NBSS Stainless Steel Nylon Roller Bearing
- RB Roller Bearing
- RBC Caged Roller Bearing
- RBSS Stainless Steel Roller Bearing
- SSW Steel Side Washer
- SWH Heat-treated Side Washer
- TB Tapered Bearing
- TG Thread Guard

SPECIAL

- Available in Stainless Steel upon request

WHEEL						PART NUMBER		
Diameter	Tread Width	Capacity Lbs.	Hub Length	Standard Bore	Alternative Bore	Bearing Type	Part Number	Wheel Weight (lbs)
3"	1 1/4"	300	1 1/2"	1/2"	5/16" * 3/8"	Plain	W-1930-VG	1.30
	1 1/2"	600	1 5/8"	1 3/16"	-	Plain	W-6203-VG	1.64
600		1 13/16"	1/2"	5/16" * 3/8" * 5/8" * 3/4"	Roller	W-6203-VG-RB	1.94	
4"	1 1/2"	600	1 5/8"	1 3/16"	-	Plain	W-6204-VG	2.60
		600	1 13/16"	1/2"	5/16" * 3/8" * 5/8" * 3/4"	Roller	W-6204-VG-RB	2.90
5"	2"	1,000	2 3/16"	1 3/16"	-	Plain	W-7004-VG	3.62
		1,000	2 3/8"	1/2"	3/8" * 5/8" * 3/4"	Roller	W-7004-VG-RB	4.06
5"	2"	1,400	2 3/16"	1 3/16"	-	Plain	W-7005-VG	4.56
		1,400	2 3/8"	1/2"	3/8" * 5/8" * 3/4"	Roller	W-7005-VG-RB	5.00
6"	2"	1,400	2 3/16"	1 3/16"	-	Plain	W-7006-VG	5.80
		1,400	2 3/8"	1/2"	3/8" * 5/8" * 3/4"	Roller	W-7006-VG-RB	6.24
6"	2 1/2"	2,000	2 3/4"	1 15/16"	-	Plain	W-7106-VG	8.00
		2,000	2 27/32"	3/4"	1" * 1 1/4"	Roller	W-7106-VG-RB	9.65
6"	3"	2,500	3 1/4"	1 15/16"	-	Plain	W-7506-VG	12.00
		2,500	3 7/16"	3/4"	1" * 1 1/4"	Roller	W-7506-VG-RB	13.89
		6,000	3 1/4"	2 7/16"	-	Plain	W-9106-VGFS*	20.00
		6,000	3 1/4"	3/4"	1 1/4" * 1 1/2"	Roller	W-9106-VGFS-RB*	20.00
		10,000	3 1/2"	1 1/4"	1"	Tapered	W-9106-VGFS-TB *	20.00
		15,000	3 1/4"	3 1/8"	-	Plain	W-9106-VGFSH*	20.00
15,000	3 1/2"	1 1/4"	1 1/2"	Tapered	W-9106-VGFSH-TB*	20.00		

WHEEL						PART NUMBER			
Diameter	Tread Width	Capacity Lbs.	Hub Length	Standard Bore	Alternative Bore	Bearing Type	Part Number	Wheel Weight (lbs)	
8"	2"	1,400	2 3/16"	1 3/16"	-	Plain	W-7008-VG	9.00	
		1,400	2 3/8"	1/2"	3/8" * 5/8" * 3/4"	Roller	W-7008-VG-RB	9.44	
	2 1/2"	2,500	2 3/4"	1 15/16"	-	Plain	W-7108-VG	13.50	
		2,500	2 27/32"	3/4"	1" * 1 1/4"	Roller	W-7108-VG-RB	15.15	
	3"	2,800	3 1/4"	1 15/16"	-	Plain	W-7508-VG	17.28	
			3 7/16"	3/4"	1" * 1 1/4"	Roller	W-7508-VG-RB	19.17	
		4,500	3 1/4"	2 7/16"	-	Plain	W-9108-VGR*	24.00	
			3 1/4"	3/4"	1" * 1 1/4" * 1 1/2"	Roller	W-9108-VGR-RB*	24.00	
		4,500	3 1/2"	3/4"	1" * 1 1/4"	Tapered	W-9108-VGR-TB*	24.00	
			5,000	3 1/4"	1 15/16"	-	Plain	W-9108-VGFS	24.00
		5,000	3 1/4"	3/4"	1" * 1 1/4"	Roller	W-9108-VGFS-RB	24.00	
			5,000	3 1/2"	3/4"	1"	Tapered	W-9108-VGFS-TB	24.00
	4"	8,400	4 1/4"	2 7/16"	-	Plain	W-9684-VGFS	24.00	
		8,400	4 1/4"	1 1/4"	1 1/2"	Roller	W-9684-VGFS-RB	24.00	
		10,000	4 1/2"	1 1/4"	1"	Tapered	W-9684-VGFS-TB +	24.00	
		15,000	4 1/4"	3 1/8"	-	Plain	W-9684-VGFSH +	24.00	
15,000		4 1/2"	1 1/4"	1 1/2"	Tapered	W-9684-VGFSH-TB +	24.00		
10"	3"	3,000	3 1/4"	1 15/16"	-	Plain	W-7510-VG	22.00	
		3,000	3 7/16"	3/4"	1" * 1 1/4"	Roller	W-7510-VG-RB	23.89	
		5,000	3 1/4"	1 15/16"	-	Plain	W-9110-VGFS*	27.00	
		5,000	3 1/4"	3/4"	1" * 1 1/4"	Roller	W-9110-VGFS-RB*	27.00	
		5,000	3 1/2"	3/4"	1"	Tapered	W-9110-VGFS-TB*	27.00	
		6,000	3 1/4"	2 7/16"	-	Plain	W-9110-VGFSH*	27.00	
		6,000	3 1/4"	3/4"	1" * 1 1/4" * 1 1/2"	Roller	W-9110-VGFSH-RB*	27.00	
		6,000	3 1/2"	1 1/4"	1"	Tapered	W-9110-VGFSH-TB*	27.00	
	4"	8,400	4 1/4"	2 7/16"	-	Plain	W-96104-VGFS +	48.00	
		8,400	4 1/4"	1 1/4"	1" * 1 1/2"	Roller	W-96104-VGFS-RB +	48.00	
		10,000	4 1/2"	1 1/4"	1"	Tapered	W-96104-VGFS-TB +	48.00	
		15,000	4 1/4"	3 1/8"	-	Plain	W-96104-VGFSH +	48.00	
		15,000	4 1/2"	1 1/4"	1 1/2"	Tapered	W-96104-VGFSH-TB +	48.00	



Depth of groove:
 * 1 3/8" X 1 1/16"
 + 1 3/4" X 7/8"
 (all others: 7/8" X 1/2")