

E5700 SERIES

275 LBS



PU Wheel
-20° to 80°C
98A

TPE Wheel
-30° to 70°C
65A

ATTACHMENT OPTIONS

TOP PLATE OPTION

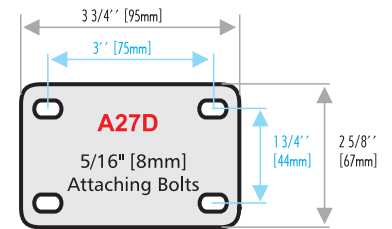


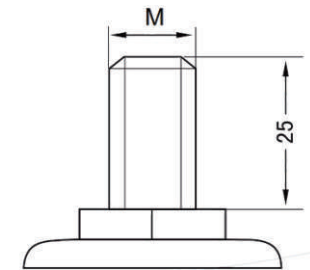
Plate thickness: 3/32" [3mm]

PART NUMBER

Size	Tread Width	Material	Bearing SnglBall	Capacity KGS	Overall Height	Swivel Lead	Swivel
4"	32mm	PU	6002	130	145mm	40mm	S5704E-***-PU-PB
4"	32mm	TPE	6002	100	145mm	40mm	S5704E-***-TPE-PB
5"	32mm	PU	6002	130	170mm	35mm	S5705E-***-PU-PB
5"	32mm	TPE	6002	100	170mm	35mm	S5705E-***-TPE-PB

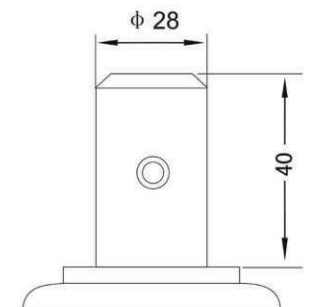
*** - Include fitting code into Swivel Part Number (Plate, Bolt Hole or Stem code)

STEMS



4" M12 5" M16

Hexagonal Subtense
S=22mm



EXCELLENT FOR:

- Hospitals
- Food Service Equipment
- Food Processing Machinery
- Pharmaceutical Equipment