

FEATURES

ALGOOD

- KINGPIN: 11/32" diameter rivet
- RACEWAY: 3/16" diameter upper race; 5/32" diameter lower race; hardened steel load bearings
- BUSHING: Steel bushing
- AXLE&NUT: 1/4" riveted axle
- FINISH: Corrosion resistant bright zinc
- HARDENED: Washers
- LEG SPACING: 1"



HARD RUBBER



SOFT RUBBER

EXCELLENT FOR

- Warehouse rolling ladders
- Sophisticated operations in hospitals
- Food service equipment
- Data processing equipment
- Filming & lighting equipment
- High quality products

SPECIAL

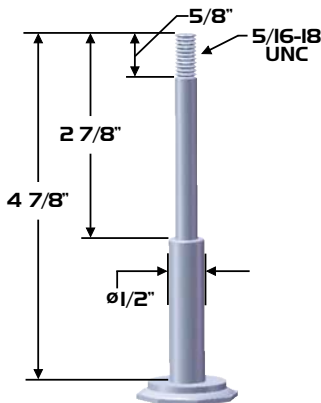
- Custom stems available upon request

WHEEL		CASTER				PART NUMBER			Caster Weight (lbs)
Diameter	Tread Width	Capacity Lbs.	Bearing Type	Swivel Radius	Overall Height	Wheel Type	Swivel		
2"	13/16"	75	Nylon	1 13/16"	2 1/2"	Soft Rubber	S8302-***-SR		0.60
		100	Nylon			Hard Rubber	S8302-***-HR		0.51
3"	13/16"	100	Nylon	2 5/16"	3 1/2"	Soft Rubber	S8303-***-SR		0.73
		110	Nylon			Hard Rubber	S8303-***-HR		0.73

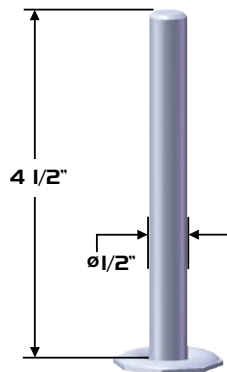
* Caster weight based on LC Stem

STEMS

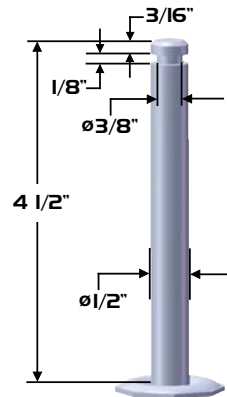
LC STEMS			
***	DIAMETER	LENGTH	TYPE
LC	1/2"	4 7/8"	NC
LC1	1/2"	4 1/2"	Plain
LC2	1/2"	4 1/2"	Snap Ring
LC4	9/16"	4 9/16"	Snap Ring



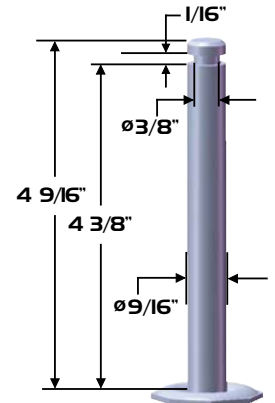
LC



LC1



LC2



LC4